

SCENIC DETAILS®

RURAL SAWMILL D243



GENERAL INSTRUCTIONS

Clean and Fit Castings - Castings have parting lines, flash and stems that should be removed. Scrape off with a hobby knife, file or sand. If Castings do not align properly, fit them by removing metal with a hobby knife or file. Castings are somewhat brittle and should be handled carefully. If Castings are bent or warped, straighten by placing on a flat surface and pushing down high areas. Prior to gluing and painting, wash Castings in warm, soapy water, rinse and let dry.

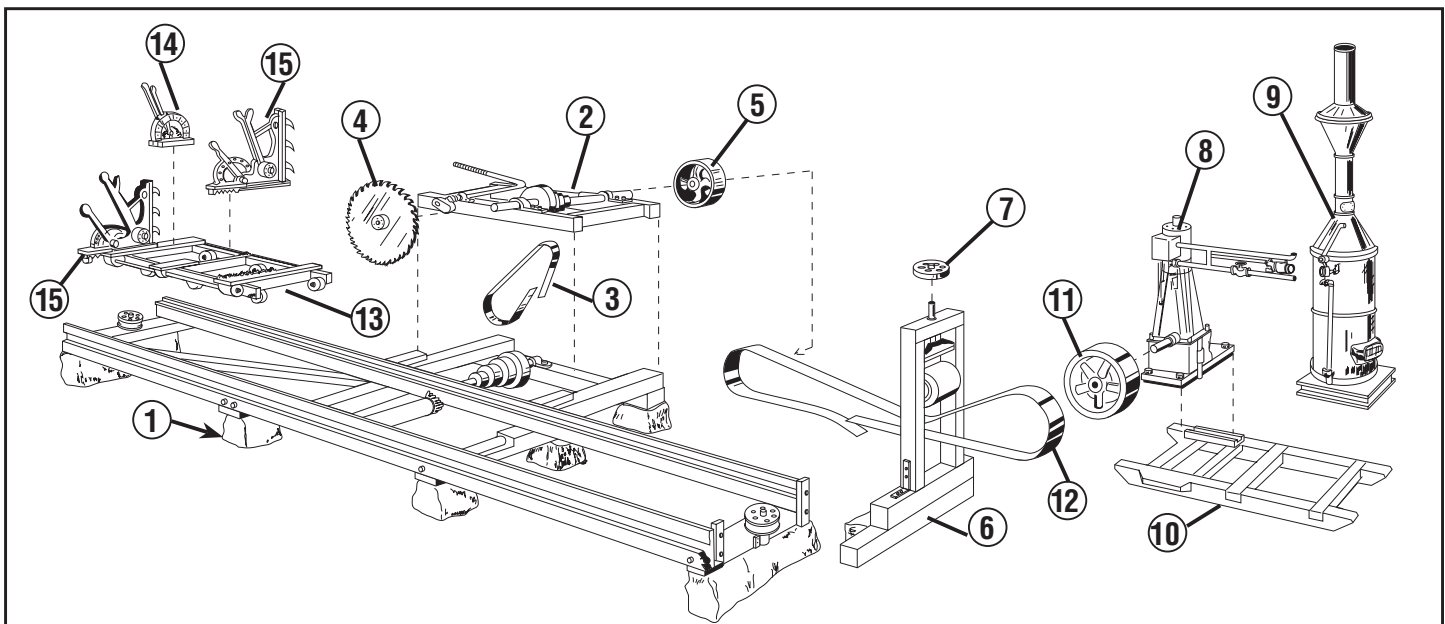
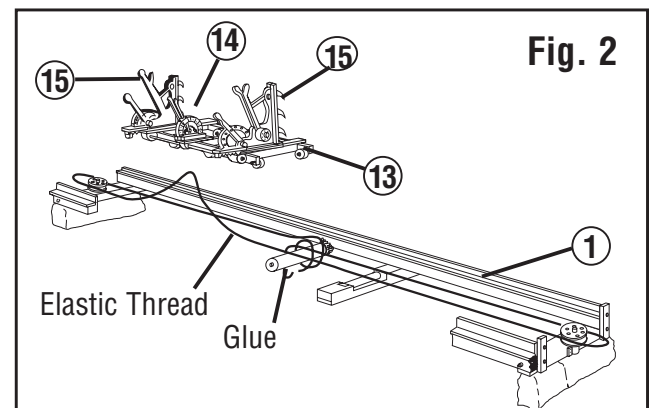
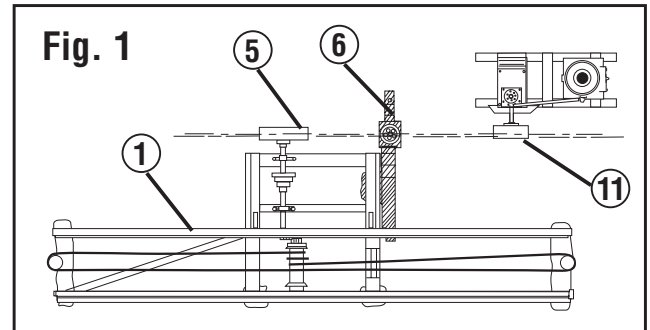
Glue Castings - Glue Castings with cyanoacrylate adhesive (CA glue /super glue) or a fast-setting epoxy.

Prime and Paint Castings - Prime all Castings and let dry. If primer beads on Casting, touch paintbrush to a bar of wet soap and then dip in paint. This will help break surface tension of paint, allowing it to adhere to the casting. We recommend painting Castings with the Mini-Scene® Paint Set (M125). It includes detailed instructions on painting and weathering. High quality, matte hobby paints will also work. Plan ahead. It is often easier to paint Castings prior to assembly. Scrape paint from glue points.

INSTRUCTIONS

Read General Instructions before beginning.

1. Clean and fit Castings.
2. Prime and paint as desired. Let dry completely.
3. Assemble and glue Parts 1–5 in numerical order. Be careful; Parts 5 and 11 are very similar. Part 5 is smaller in diameter. **NOTE:** If Part 3 (Belt) is desired, make from Black Thread, electrical tape or black paper.
4. Attach Black Elastic Thread to Part 1 (**Fig. 1 and 2**). **NOTE:** Thread does not attach to Carriage Assembly (Part 13, 14, 15) until Step 11.
5. Glue Part 6 to Part 1 (**Fig. 1**).
6. Glue Part 7 to Part 6.
7. Position Parts 8 and 9 on Part 10. Align pipes on Parts 8 and 9 and glue.
8. Insert stem on Part 8 into hole on Part 11 (file hole on Part 11 if necessary).
9. Glue Part 14 and Part 15 (x2) to Part 13 to create Carriage Assembly.
10. Glue Carriage Assembly in desired position on Tracks (Part 1). Carriage Wheels set between flanges on rails.
11. Glue Black Elastic Thread on Part 1 to underside of Carriage Assembly (**Fig. 2**).
12. Make Part 12 by cutting a strip of black paper 1/16" wide x 3 1/2" long and gluing ends together to form a Belt. Thread Belt through Part 6 and wrap around Pulleys (Parts 5 and 11). Position Saw and Boiler Assembly so slack is removed from belt. Secure with glue.



CAUTION: Cutting tools recommended. Use with care.

MODELING AND CARE INFORMATION This kit suggests the use of materials that may stain or cause damage. Take care to cover project area and clothing appropriately. Follow recommendations for use and cleanup.

Model making product. Not a toy! Not suitable for children under 14 years! / Produit pour le modélisme. Pas un jouet! Pas adapté aux enfants de moins de 14 ans! / Producto para modelismo. No es un juguete! No adecuado para niños menores de 14 años! / Modellbauartikel. Kein Spielzeug! Nicht geeignet für Kinder unter 14!